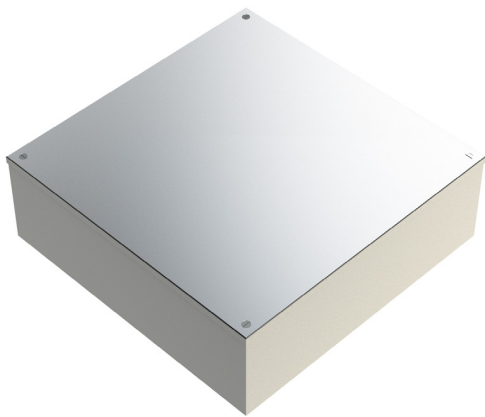


PRODUCT CODE: AB24G
ADAPTABLE BOX - PLAIN



DESCRIPTION

300 x 300 x 100mm (12 x 12 x 4") Adaptable Box, Plain

FINISH

Pre Galvanised

MATERIAL

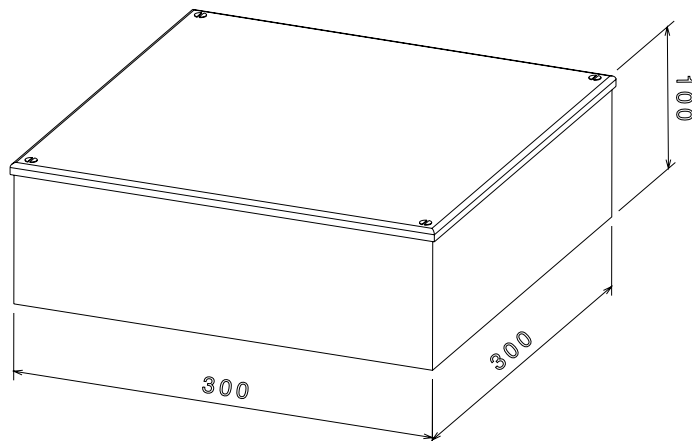
Galvanised Sheet Steel

PACKAGING

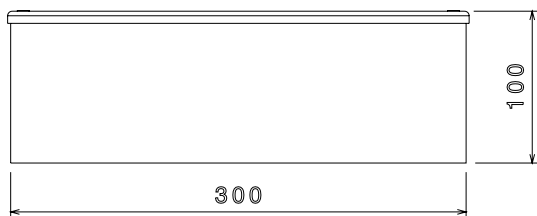
Supplied individually

ADDITIONAL NOTES

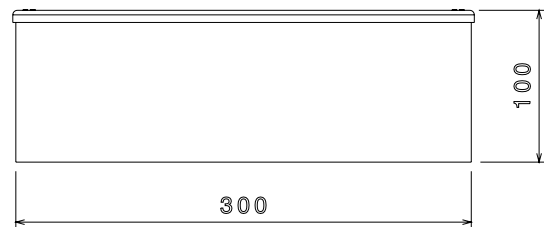
Comprises body, flanged cover and M5 x 10mm lid fixing screws
Plain sides (also available with pre-cut knockouts)
Compliant to LU Standard 1-085 (for use on surface & sub-surface locations)



Isometric view



Front view



Side view